

产品. 规格书

PRODUCT SPECIFICATION

产品名称

Product Name

450激光器

产品编号

Product Number

K40B80W-T-A

规格型号

Specification Model

40*40*115.7mm

东莞市蓝宇激光有限公司

Dongguan Blueuniverse Laser Co, Ltd

DESCRIPTION. :

(规格书)

SPECIFICATION

THESE SPECIFICATIONS ARE THE PROPERTY OF DONGGUAN BLUEUNIVERSE LASER CO., LTD. AND SHALL NOT BE REPRODUCED OR USED AS THE BASIS FOR THE MANUFACTURE OR SELL OF APPARATUSES OR DEVICES WITHOUT PERMISSION.

Model No. :

K40B80W-T-A

日期

制定

品管

审核

核准

Document No. :

LY-WI-RD-F1972

REV

A0

产品参数

PRODUCT PARAMETERS

项目 Items	参数 Parameter	项目 Items	参数 Parameter
结构尺寸: Housing size	40*40*70mm	透镜: Optical Lens	Φ10/玻璃
电路板尺寸: Circuit Board Size	40*40mm	风扇: Fan	12V
电路板: Circuit Board	12V/PWM调制板	产品材质: Product Material	铝6061
线材: Wire Rod	22# 2P2.54端子反线 65mm	产品净重: Product Net Weight	233g

光电参数(透镜压缩)

OPTICAL PARAMETERS

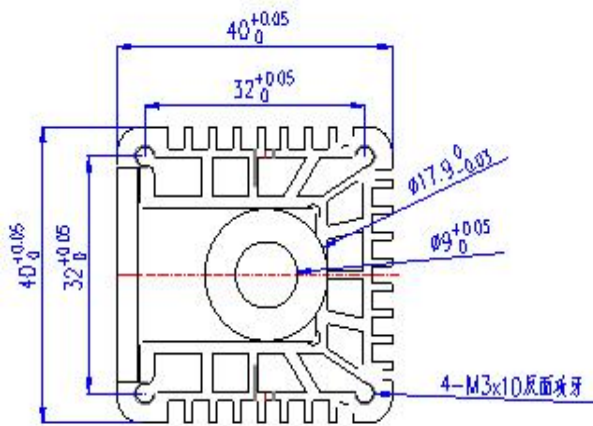
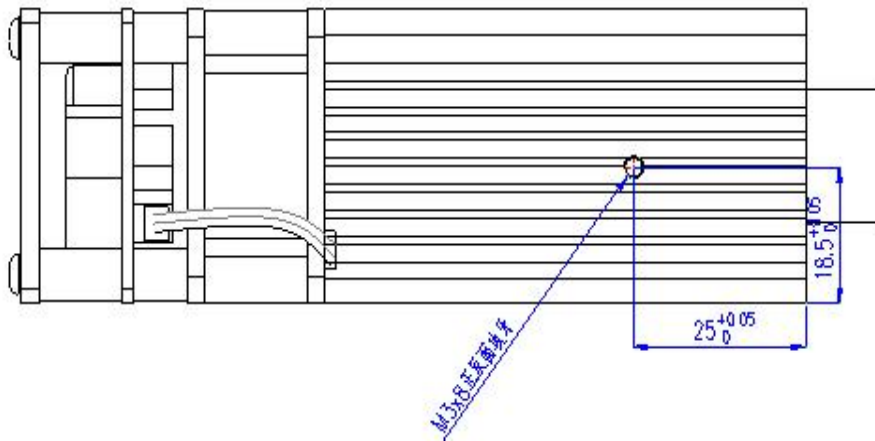
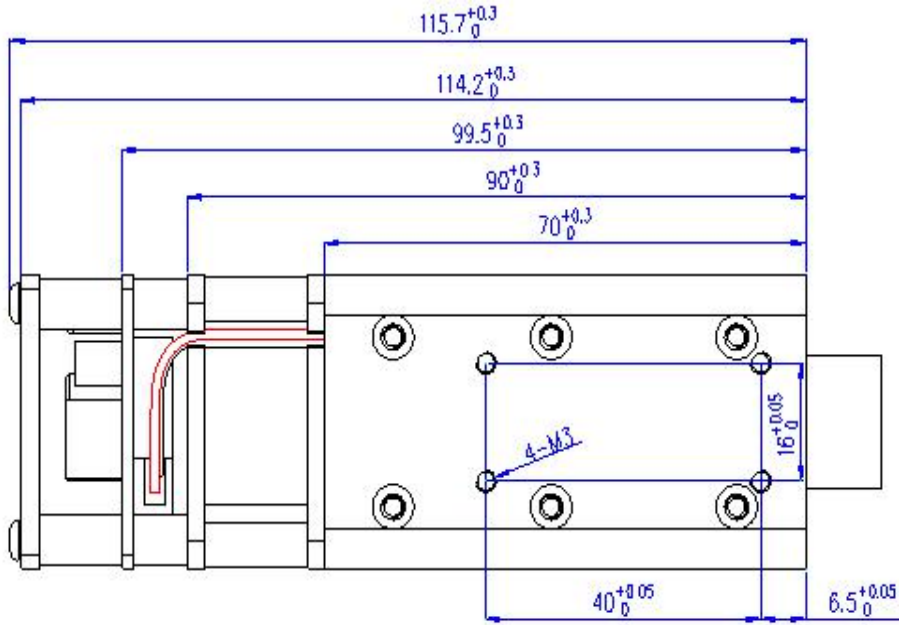
TC=25℃

项目 Items	符号 Symbol	最小 Min	标准 Typ	最大 Max	单位 Unit	条件 Condition
光输出功率: Optical Output Power	P _o	8.5	/	/	W	12V供电
工作电流: Working current	I _{op}	/	2.8	3	A	
工作电压: Operating Voltage	V _{op}	/	12	/	V	
激光波长: Laser Wavelength	λ _p	450	455	460	nm	
电功率: Electric Power	W _l	/	33.6	36	W	

光斑模式: Laser Beam Mode	点状	工作模式: Working Mode	Pulse work
光点大小: Lightspot Size	40mm<0.5mm 以散热器面	工作温度: Working Temperature	0℃至70℃
发散角: Divergence Angle	/	储存温度: Storage Temperature	-40℃至85℃
工作时间: Working Time	10000H	外壳带电极性: Enclosure Polarity	空

外形尺寸

DIMENSIONS



UNSPECIFIED DIMENSION TOL (GB/T1804-92)			VERSION
	COARSENES	COARSENES	
0.5~3	± 0.02	± 0.03	
3~6	± 0.03	± 0.04	
6~30	± 0.05	± 0.1	
30~120	± 0.2	± 0.8	SCALE: 1:1
120~400	± 0.5	± 1.2	
UNSPECIFIED ANGLE OL (GB11359-89-M) ± 1°			UNITS: MM
FROM NO: FR-04-0013 REVISION: REVO			
DATE 2016-4-11			

注 意 事 项

CAUTIONS

1. 激光模组发射的激光有可能对眼睛造成伤害。激光模组工作时，严禁直接注视其端面，并佩戴防护眼镜。

The laser light emitted by the laser module is likely to injure persons' eye, so do not directly gaze its end surface and wear appropriate safety glasses to prevent laser light when it is working.

2. 器件需要合适的驱动电源，激光模组和电源连接时，电源输出电压应为零；电流调节时应缓慢增加或减少，以免冲击电流损坏器件。

Laser module needs an appropriate laser driver(PCB). When the laser module connects with power supply, please set the output voltage to zero. The adjustment of the current should be slowly increased or decrease to avoid damaging the device.

3. 器件应当存放或工作于干燥环境，防尘等级达到百万级，以免镜片落入灰尘影响光斑。

Keep the device working or storing in a dry environment. The anti-dust grade is over one million, in order to prevent dust inside the lens to affect the laser dot shape.

4. 在较高温度下工作，会增大阈值电流，降低转换效率，加速器件的老化。

Working at high temperatures will increase the threshold current, reduce conversion efficiency and speed up the aging of the device.

5. 输出功率高于指定参数工作，会加速器件老化。

When output power is higher than it's specific parameter of operation, it will accelerate the aging of the device.

6. 连续工作中激光管温度达到70℃要做好散热。

When the operation temperature of the laser diode is over 70degree, please do well heat dissipation of it.

7. 本产品属于静电敏感器件，在人体有良好接地的情况下才可拿取，防静电可采用防静电手镯的方法。

This laser module is an electrostatic sensitive device. Please make sure ground yourself or wear an antistatic wrist strap before you take it.



Dongguan Blueuniverse Laser
Co.,Ltd
400-7777-956
<http://www.bu-laser.Com>

东莞市蓝宇激光有限公司

Dongguan Blueuniverse Laser Co.,Ltd

DESCRIPTION. :
(规格书)
SPECIFICATION

THESE SPECIFICATIONS ARE THE PROPERTY OF DONGGUAN
BLUEUNIVERSE LASER CO.,LTD. AND SHALL NOT BE REPRODUCED OR
USED AS THE BASIS FOR THE MANUFACTURE OR SELL OF
APPARATUSES OR DEVICES WITHOUT PERMISSION.

Model No. :
K40B80W-T-A

Document No. :
LY-WI-RD-F1972

REV
A0