

产品. 规格书

PRODUCT SPECIFICATION

产品名称

Product Name

830激光器

产品编号

Product Number

JCP8320Z-017

规格

Parameter

ϕ 16*66mm

东莞市蓝宇激光有限公司

Dongguan Blueuniverse Laser Co.,Ltd

DESCRIPTION. :

(规格书)

SPECIFICATION

THESE SPECIFICATION ARE THE PROPERTY OF DongGuan

Blueuniverse Laser Co.,Ltd

AND SHALL NOT BE REPRODUCED OR USED AS THE BASIS FOR THE

MANUFACTURE OR SELL

OF APPARATUSES OR DEVICES WITHOUT PERMISSION.

Model No. :

JCP8320Z-017

日期

制定

品管

审核

核准

Document No. :

LY-WI-RD-F2179

REV

A0

产品参数

PRODUCT PARAMETERS

项目 Items	参数 Parameter	项目 Items	参数 Parameter
结构尺寸: Housing size	ϕ 16*66mm	透镜: Optical Lens	ϕ 6/玻璃
电路板尺寸: Circuit Board Size	9.5*8.2mm	风扇: Fan	/
电路板: Circuit Board	3-5V/PWM	产品材质: Product Material	铝6061
线材: Wire Rod	22# 红黑黄PVC引线 190mm	产品净重: Product Net Weight	/

光电参数

OPTICAL PARAMETERS

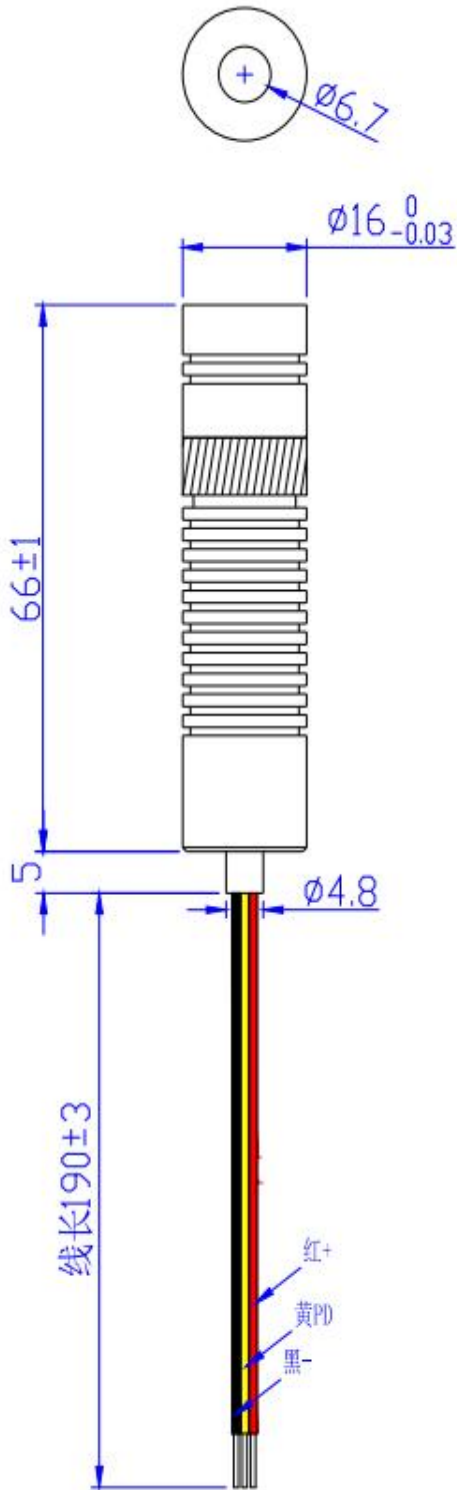
TC=25℃

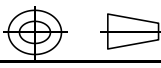
项目 Items	符号 Symbol	最小 Min	标准 Typ	最大 Max	单位 Unit	条件 Condition
光输出功率: Optical Output	P_o	95	100	105	mW	占空比: 100%
工作电流: Working current	I_{op}	/	180	230	mA	
工作电压: Operating Voltage	V_{op}	3	4	5	V	
激光波长: Laser Wavelength	λ_p	820	830	840	nm	
电功率: Electric Power	W_l	0.54	0.72	1.15	W	

控制信号电压: Control signal voltage	2.5-5.5V	控制方式: The control mode	PWM调制
响应频率: Response frequency	<100KHz	起始响应占空比: Initial response duty cycle	3%
光斑模式: Laser Beam Mode	散斑点	工作模式: Working Mode	Pulse work
光点大小: Lightspot Size	/	工作温度: Working Temperature	-10℃至50℃
镜片角度: The lens Angle	/	储存温度: Storage Temperature	-40℃至80℃
工作时间: Working Time	10000H	外壳带电极性: Enclosure Polarity	空

外形尺寸

DIMENSIONS



UNSPECIFIED DIMENSINO TOL (GB/T1804-92)			VERSION
	COARSENES	COARSENES	
0.5~3	± 0.02	± 0.03	
3~6	± 0.03	± 0.04	
6~30	± 0.05	± 0.1	
30~120	± 0.2	± 0.8	SCALE: 1:1
120~400	± 0.5	± 1.2	
UNSPECIFIED ANGLE OL (GB11359-89-M) $\pm 1^\circ$			UNITS: MM
FROM NO: FR-04-0013 REVISION: REVO			
DATE 2022-4-22			

注 意 事 项

CAUTIONS

1. 激光模组发射的激光有可能对眼睛造成伤害。激光模组工作时，严禁直接注视其端面，并佩戴防护眼镜。

The laser light emitted by the laser module is likely to injure persons' eye, so do not directly gaze its end surface and wear appropriate safety glasses to prevent laser light when it is working.

2. 器件需要合适的驱动电源，激光模组和电源连接时，电源输出电压应为零；电流调节时应缓慢增加或减少，以免冲击电流损坏器件。

Laser module needs an appropriate laser driver(PCB). When the laser module connects with power supply, please set the output voltage to zero. The adjustment of the current should be slowly increased or decrease to avoid damaging the device.

3. 器件应当存放或工作于干燥环境，防尘等级达到百万级，以免镜片落入灰尘影响光斑。

Keep the device working or storing in a dry environment. The anti-dust grade is over one million, in order to prevent dust inside the lens to affect the laser dot shape.

4. 在较高温度下工作，会增大阈值电流，降低转换效率，加速器件的老化。

Working at high temperatures will increase the threshold current, reduce conversion efficiency and speed up the aging of the device.

5. 输出功率高于指定参数工作，会加速器件老化。

When output power is higher than it's specific parameter of operation, it will accelerate the aging of the device.

6. 连续工作中激光管温度达到50℃要做好散热。

When the operation temperature of the laser diode is over 50degree, please do well heat dissipation of it.

7. 本产品属于静电敏感器件，在人体有良好接地的情况下才可拿取，防静电可采用防静电手镯的方法。

This laser module is an electrostatic sensitive device. Please make sure ground yourself or wear an antistatic wrist strap before you take it.



Dongguan Blueuniverse Laser
Co.,Ltd
400-7777-956
<http://www.bu-laser.Com>

东莞市蓝宇激光有限公司

Dongguan Blueuniverse Laser Co.,Ltd

DESCRIPTION. :

(规格书)

SPECIFICATION

THESE SPECIFICATIONS ARE THE PROPERTY OF DONGGUAN
BLUEUNIVERSE LASER CO.,LTD. AND SHALL NOT BE REPRODUCED OR
USED AS THE BASIS FOR THE MANUFACTURE OR SELL OF
APPARATUSES OR DEVICES WITHOUT PERMISSION.

Model No. :

JCP8320Z-017

Document No. :

LY-WI-RD-F2179

REV

A0