

产品. 规格书

PRODUCT SPECIFICATION

产品名称

Product Name

650激光器

产品编号

Product Number

JAP6505-117

规格型号

Specification Model

φ 12.05*36mm

受控文件

东莞市蓝宇激光有限公司

Dongguan Blueuniverse Laser Co, Ltd

DESCRIPTION. :

(规格书)

SPECIFICATION

THESE SPECIFICATIONS ARE THE PROPERTY OF DONGGUAN BLUEUNIVERSE LASER CO., LTD. AND SHALL NOT BE REPRODUCED OR USED AS THE BASIS FOR THE MANUFACTURE OR SELL OF APPARATUSES OR DEVICES WITHOUT PERMISSION.

Model No. :

JAP6505-117

日期

制定

品管

审核

核准

Document No. :

REV

2024.10.15: 李东 李东 [] 李东

LY-WI-RD-F1855

A0



扫描全能王 创建

产品参数

PRODUCT PARAMETERS

项目 Items	参数 Parameter	项目 Items	参数 Parameter
结构尺寸: Housing size	ϕ 12.05*36mm	透镜: Optical Lens	ϕ 3/玻璃
电路板尺寸: Circuit Board Size	ϕ 6mm	风扇: Fan	/
电路板: Circuit Board	3-5V/APC电路板	产品材质: Product Material	铜H59/镀金
线材: Wire Rod	/	产品净重: Product Net Weight	20.6g

光电参数

OPTICAL PARAMETERS

TC=25°C

项目 Items	符号 Symbol	最小 Min	标准 Typ	最大 Max	单位 Unit	条件 Condition
光输出功率: Optical Output Power	P _o	2	2.5	3	mW	
工作电流: Working current	I _{op}	/	15	20	mA	
工作电压: Operating Voltage	V _{op}	3	3.5	4	V	
激光波长: Laser Wavelength	λ_p	640	650	660	nm	
电功率: Electric Power	W _l	0.045	0.052	0.08	W	

受控文件

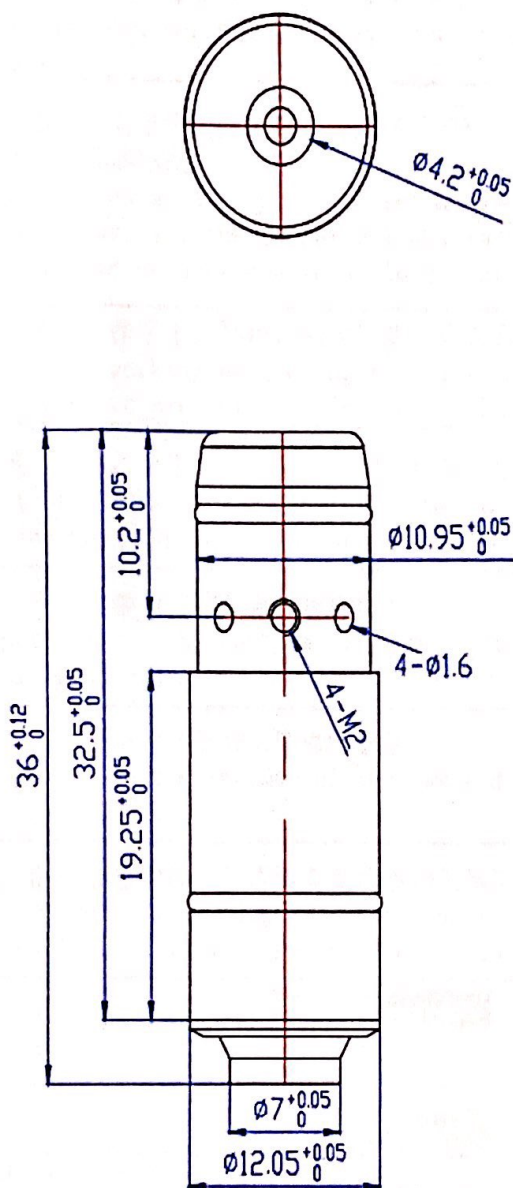
光斑模式: Laser Beam Mode	点状	工作模式: Working Mode	continuous
光点大小: Lightspot Size	10M<15mm	工作温度: Working Temperature	-10°C至40°C
同心度: concentricity	直径<0.5°	储存温度: Storage Temperature	-40°C至80°C
工作时间: Working Time	10000H	外壳带电极性: Enclosure Polarity	正极



扫描全能王 创建

外形尺寸

DIMENSIONS



受控文件

UNSPECIFIED DIMENSINO TOL (GB/T1804-92)		VERSION	
	COARSENES	COARSENES	
0.5~3	± 0.02	± 0.03	
3~6	± 0.03	± 0.04	
6~30	± 0.05	± 0.1	SCALE: 1:
30~120	± 0.2	± 0.8	1
120~400	± 0.5	± 1.2	UNITS: MM
UNSPECIFIED ANGLE OL (GB11359-89-M) ± 1°			
FROM NO: FR-04-0013 REVISION: REVO			
DATE 2016-4-11			



扫描全能王 创建

注 意 事 项

CAUTIONS

1. 激光模组发射的激光有可能对眼睛造成伤害。激光模组工作时，严禁直接注视其端面，并佩戴防护眼镜。

The laser light emitted by the laser module is likely to injure persons' eye, so do not directly gaze its end surface and wear appropriate safety glasses to prevent laser light when it is working.

2. 器件需要合适的驱动电源，激光模组和电源连接时，电源输出电压应为零；电流调节时应缓慢增加或减少，以免冲击电流损坏器件。

Laser module needs an appropriate laser driver(PCB). When the laser module connects with power supply, please set the output voltage to zero. The adjustment of the current should be slowly increased or decrease to avoid damaging the device.

3. 器件应当存放或工作于干燥环境，防尘等级达到百万级，以免镜片落入灰尘影响光斑。

Keep the device working or storing in a dry environment. The anti-dust grade is over one million, in order to prevent dust inside the lens to affect the laser dot shape.

4. 在较高温度下工作，会增大阈值电流，降低转换效率，加速器件的老化。

Working at high temperatures will increase the threshold current, reduce conversion efficiency and speed up the aging of the device.

5. 输出功率高于指定参数工作，会加速器件老化。

When output power is higher than it's specific parameter of operation, it will accelerate the aging of the device.

6. 连续工作中激光管温度达到40℃要做好散热。

When the operation temperature of the laser diode is over 40degree, please do well heat dissipation of it.

7. 本产品属于静电敏感器件，在人体有良好接地的情况下才可拿取，防静电可采用防静电手镯的方法。

This laser module is an electrostatic sensitive device. Please make sure ground yourself or wear an antistatic wrist strap before you take it.



Dongguan Blueuniverse Laser
Co.,Ltd
400-7777-956
<http://www.bu-laser.Com>

东莞市蓝宇激光有限公司

Dongguan Blueuniverse Laser Co.,Ltd

DESCRIPTION.:

(规格书)

SPECIFICATION



THESE SPECIFICATIONS ARE THE PROPERTY OF DONGGUAN BLUEUNIVERSE LASER CO.,LTD. AND SHALL NOT BE REPRODUCED OR USED AS THE BASIS FOR THE MANUFACTURE OR SELL OF APPARATUSES OR DEVICES WITHOUT PERMISSION.

Model No.:

JAP6505-117

Document No.:

LY-WI-RD-F1855

REV

A0



扫描全能王 创建