

产品. 规格书

PRODUCT SPECIFICATION

产品名称

Product Name

650激光器

产品编号

Product Number

65MZ-323

规格

Parameter

6.0*10.5mm

东莞市蓝宇激光有限公司

Dongguan Blueuniverse Laser Co., Ltd

DESCRIPTION. :

(规格书)

SPECIFICATION

THESE SPECIFICATION ARE THE PROPERTY OF DongGuan Blueuniverse Laser Co., Ltd

AND SHALL NOT BE REPRODUCED OR USED AS THE BASIS FOR THE MANUFACTURE OR SELL

OF APPARATUSES OR DEVICES WITHOUT PERMISSION.

Model No. :

JLM6505M-R2Y5

日期

制定

品管

审核

核准

Document No. :

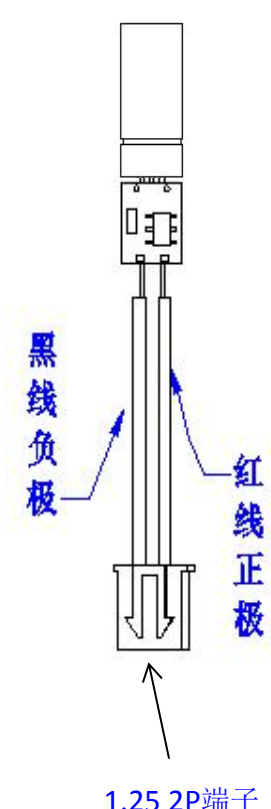
LY-WI-RD-F0347

REV

A0

光电参数

PHOTOELECTRIC PARAMETER

项 目 Item	参 数 parameter	示 意 图 Schematic diagram
外形尺寸: Dimensions	Φ6.0mm*10.5mm	
输出波长: Wavelength	658nm±5nm	
输出功率: Output Power	4-5mw	
输入电压: Input Voltage	3-5V	
输入电流: Input Current	35-50mA	
贮存温度: Storage Temperature	- 40℃至85℃	
工作温度: Working Temperature	- 10℃至40℃	
导线长度: Wire Length	150mm	
照射距离: Irradiation Distance	8M	
光点大小: Lightspot Size	≤10mm	
工作时间: Service Life	8000H	
外壳极性: The polarity of shell	-	

东莞市蓝宇激光有限公司
Dongguan Blueuniverse Laser Co.,Ltd

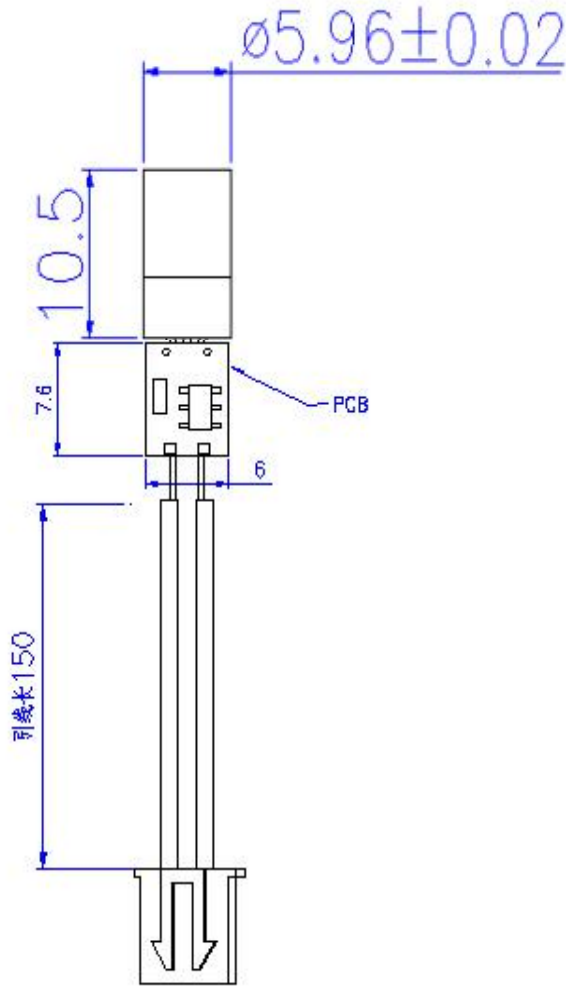
DESCRIPTION. :
(规格书)
SPECIFICATION

THESE SPECIFICATION ARE THE PROPERTY OF DongGuan Blueuniverse Laser Co.,Ltd
AND SHALL NOT BE REPRODUCED OR USED AS THE BASIS FOR THE MANUFACTURE OR SELL OF APPARATUSES OR DEVICES WITHOUT PERMISSION.

Model No. :
JLM6505M-R2Y5

Document No. : LY-WI-RD-F0347	REV A0
----------------------------------	-----------

外形尺寸 DIMENSIONS

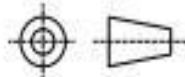


UNSPECIFIED DIMENSINO TOL(GB/T1804-92)		
DIM \ TOL	COARSENESS	COARSENESS
0.5~3	± 0.02	± 0.04
3~6	± 0.05	± 0.1
6~30	± 0.1	± 0.2
30~120	± 0.2	± 0.8
120~400	± 0.5	± 1.2

UNSPECIFIED ANGLE TOL(GB11359-89-M) $\pm 1^\circ$

Form No: FR-04-0013 Revision: REVO Date:2016-4-11

UNITS: MM



东莞市蓝宇激光有限公司
Dongguan Blueuniverse Laser Co.,Ltd

DESCRIPTION. :
(规格书)
SPECIFICATION

THESE SPECIFICATION ARE THE PROPERTY OF DongGuan Blueuniverse Laser Co.,Ltd
AND SHALL NOT BE REPRODUCED OR USED AS THE BASIS FOR THE
MANUFACTURE OR SELL
OF APPARATUSES OR DEVICES WITHOUT PERMISSION.

Model No. :
JLM6505M-R2Y5

Document No. :
LY-WI-RD-F0347

REV
A0

注 意 事 项

CAUTIONS

1. 激光模组发射的激光有可能对人眼造成伤害。激光模组工作时，严禁直接注视其端面，并佩戴防护眼镜。	1. The laser light emitted by laser module is likely to injure persons' eye, so do not directly gaze its end surface and wear appropriate safety glasses to prevent laser light when it is working.
2. 器件需要合适的驱动电源，激光模组和电源连接时，电源输出电压应为零；电流调节时应缓慢增加或减少，以免冲击电流损坏器件。	2. Laser module need appropriate laser driver(PCB). When laser module connect with power supply, please set the output voltage to zero. The adjustment of current should be slowly increase or decrease to avoid damaging the device.
3. 器件应当存放或工作于干燥环境。	3. Keep the device working or storing in dry environment.
4. 在较高温度下工作，会增大阈值电流，降低转换效率，加速器件的老化。	4. Working at high temperatures will increase the threshold current, reduce conversion efficiency and speed up the aging of the device.
5. 输出功率高于指定参数工作，会加速器件老化。	5. When output power is higher than it's specific parameter of operation, it will accelerate the aging of the device.
6. 连续工作中激光管温度达到40° 要做好散热。	6. When the operation temperature of laser diode is over 40degree, please do well heat dissipation of it.
7. 本产品属于静电敏感器件，在人体有良好接地的情况下才可拿取，防静电可采用防静电手镯的方法。	7. This laser module is electrostatic sensitive device. Please make sure ground yourself or wear an antistatic wrist strap before you take it



BU Laser Co.,Ltd
400-7777-956
<http://www.bulaser.Com>

东莞市蓝宇激光有限公司

Dongguan Blueuniverse Laser Co.,Ltd

DESCRIPTION. :
(规格书)
SPECIFICATION

THESE SPECIFICATION ARE THE PROPERTY OF DongGuan Blueuniverse Laser Co.,Ltd
AND SHALL NOT BE REPRODUCED OR USED AS THE BASIS FOR THE
MANUFACTURE OR SELL
OF APPARATUSES OR DEVICES WITHOUT PERMISSION.

Model No. :
JLM6505M-R2Y5

Document No. :
LY-WI-RD-F0347

REV
A0